

DuPont Self-Adhered Flashing Products Installation Guidelines

Garage Doors Installed **AFTER** the DuPont™ Tyvek® Water-Resistive and Air Barrier (WRB)



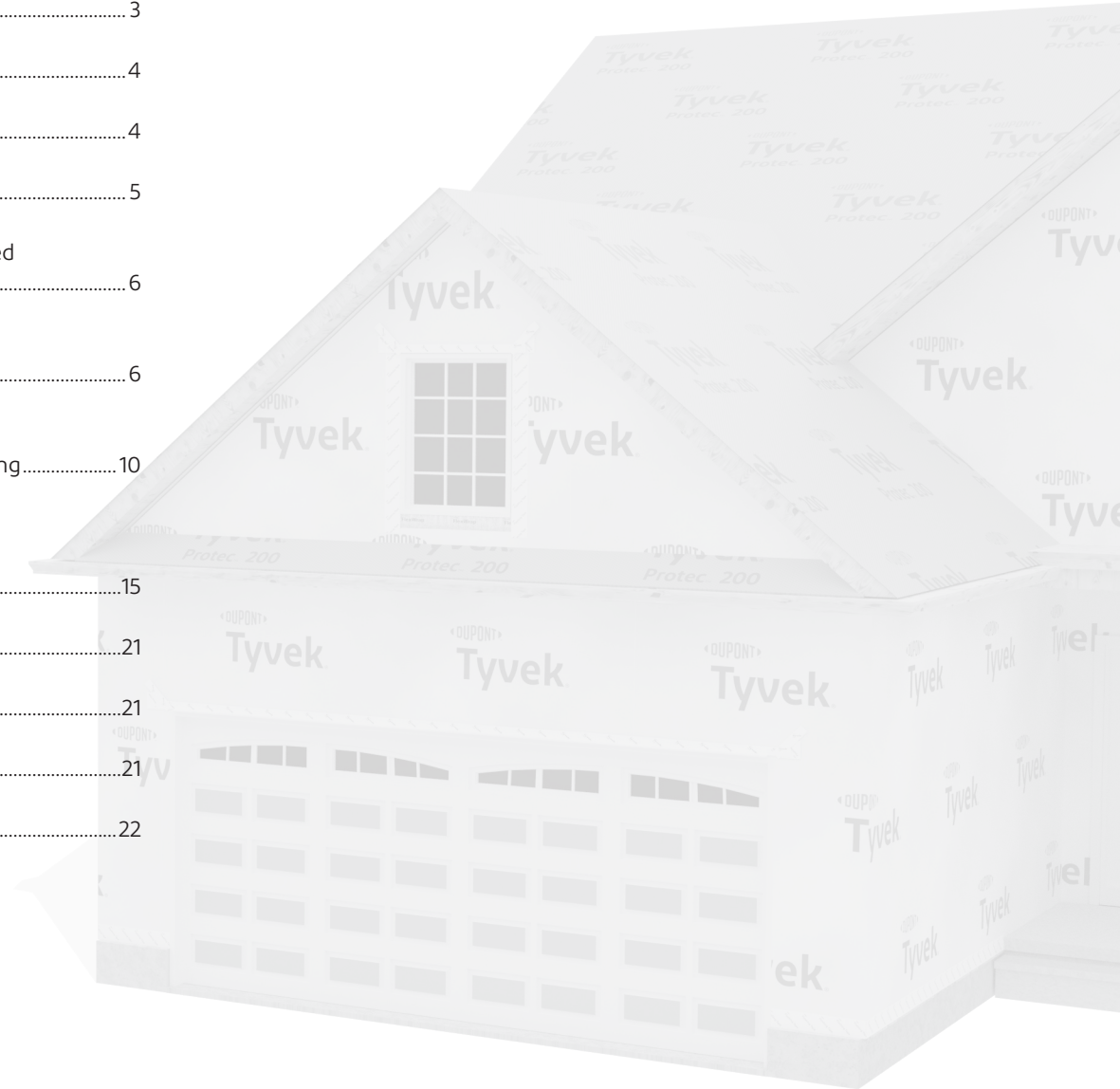
For Buildings Less Than 5 Stories and Low-Rise Multi-Family Residential Buildings Less Than 6 Stories



August 2020

Table of Contents

Applicable Products	3
Required Materials Based on Project Requirements, Details, and Specifications.....	3
Warranty.....	4
Special Considerations.....	4
Key Installation Requirements for Drainable Window/Door Installation	5
Installation Methods for DuPont Self-Adhered Flashing Products Installed AFTER the DuPont™ Tyvek® WRB	6
Option 1 for Garage Doors – Standard I-Cut with Drip Cap Sealed to Sheathing	6
Option 2 for Garage Doors – I-Cut and Three-Piece Head Detail with Drip Cap Sealed Over Flashing.....	10
Option 3 for Garage Doors – Flush Cut (O-Cut) and “Wrap the Cavity” Flashing Method with Drip Cap Sealed Over Flashing.....	15
Product Composition and UV Stability.....	21
Design Considerations.....	21
Safety and Handling	21
For More Information	22



This installation guideline outlines recommended installation techniques and details for **DuPont™ Tyvek® HomeWrap®, Tyvek® StuccoWrap®, Tyvek® DrainWrap™, Tyvek® ThermaWrap® LE, Tyvek® CommercialWrap®** and/or **Tyvek® CommercialWrap® D**, referred to in this document as **DuPont™ Tyvek® Water-Resistive and Air Barriers (Tyvek® WRBs)** and where applicable, **DuPont Self-Adhered Flashing Products. Tyvek® WRBs** meet the requirements of a water-resistive barrier as defined in the 2018 International Residential Code (IRC) and the 2018 International Building Code (IBC).

This Installation Guideline pertains to **buildings less than 5 stories and low-rise multi-family residential buildings less than 6 stories**. For additional information regarding DuPont Installation Guidelines usage for wood framed multi-family buildings, please refer to the [Multi-Family User's Bulletin for Installation of DuPont Building Envelope Solutions Products](#).

Applicable Products

Water-Resistive and Air Barriers (Tyvek® WRBs)

Product	Dimensions	Area
DuPont™ Tyvek® HomeWrap®	3 ft x 100 ft	300 sq ft
	3 ft x 165 ft	495 sq ft
	5 ft x 200 ft	1,000 sq ft
	9 ft x 100 ft	900 sq ft
	9 ft x 150 ft	1,350 sq ft
	10 ft x 100 ft 10 ft x 150 ft	1,000 sq ft 1,500 sq ft
DuPont™ Tyvek® StuccoWrap®	5 ft x 200 ft	1,000 sq ft
DuPont™ Tyvek® DrainWrap™	9 ft x 125 ft	1,125 sq ft
	10 ft x 125 ft	1,250 sq ft
DuPont™ Tyvek® ThermaWrap® LE	5 ft x 150 ft	750 sq ft
	9 ft x 100 ft	900 sq ft
DuPont™ Tyvek® CommercialWrap®	5 ft x 200 ft	1,000 sq ft
	10 ft x 125 ft	1,250 sq ft
DuPont™ Tyvek® CommercialWrap® D	5 ft x 200 ft	1,000 sq ft
	10 ft x 125 ft	1,250 sq ft

Self-Adhered Flashing Products

Product	Width
DuPont™ FlexWrap™ (Formerly DuPont™ FlexWrap™ NF)	6 in, 9 in
DuPont™ StraightFlash™	4 in, 9 in
DuPont™ Flashing Tape	4 in, 6 in, 9 in, 12 in

Installation Accessories

Product	Type	Quantity
DuPont™ Adhesive/Primer	Can	13.5 oz
DuPont™ Tyvek® Tape	2" Bulk Pack	36 rolls/case
	3" Bulk Pack	24 rolls/case
DuPont™ Tyvek® Wrap Cap Fasteners		
Great Stuff Pro™ Window & Door Polyurethane Foam Sealant	Can (reusable dispensing gun sold separately)	20 oz
Great Stuff Pro™ Gaps & Cracks Polyurethane Foam Sealant	Can (reusable dispensing gun sold separately)	20 oz
Tower® Residential Sealant (formerly DuPont™ Residential Sealant)		

Required Materials Based on Project Requirements, Details, and Specifications¹

- Backer Rod
- Sealant²
- Brushes for Surface Preparation
- J-Roller
- Rodenhouse Grip-Deck® screws with Thermal-Grip FastCap™ washers³

¹Apply per manufacturers' guidelines. For non DuPont products, DuPont assumes no liability in use of recommended products; installers need to evaluate suitability of recommended products in their end-use applications.

²For information regarding chemical compatibility of sealants, see technical bulletin [Chemical Compatibility of Representative Building Sealants and Adhesives/Primers](#).

³For information regarding installation of Rodenhouse fasteners, refer to the [DuPont™ Tyvek® Water-Resistive and Air Barrier \(WRB\) Installation Guidelines for Buildings Less Than 5 Stories and Low-Rise Multi-Family Residential Buildings Less than 6 Stories](#).

Warranty

Please refer to the [DuPont Building Envelope Solutions Products 10-Year Limited Warranty for Buildings Less Than 5 Stories and Low-Rise Multi-Family Buildings Less Than 6 Stories](#). For buildings greater than 4 stories, please refer to the [DuPont Building Envelope Solutions Products 10-Year Limited Warranty for Buildings Greater Than 4 Stories](#).

NOTE: In order to make a claim under the DuPont Performance Building Solutions 10-Year Limited Product and Labor Warranty, you must have met all of the terms and conditions of the warranty, including use of the applicable DuPont Installation Guidelines available at the date of original installation. In the event that a specific detail or installation technique is not covered in the DuPont Installation Guidelines at the time of construction, then the Key Installation Requirements outlined in this document must have been followed in order to make a claim under the warranty. It is in the sole discretion of DuPont to determine if full compliance with the Key Installation Requirements exists. Please contact DuPont or a DuPont Representative if you have any questions regarding any DuPont Installation Guideline.

Special Considerations

1. When installing brick mold around the garage door opening, Options 1-3 can be used. The brick mold should be installed after the **DuPont™ Tyvek® WRB**, and the drip cap should be installed and flashed to the sheathing above the brick mold with **DuPont Self-Adhered Flashing Product**. When following Options 2 and 3, install brick mold after head flashing steps are completed.
2. When performance requirements exceed ASTM E1677, 65 mph equivalent structural load and 15 mph equivalent wind-driven rain water infiltration for buildings less than 5 stories, it is recommended to install a high pressure skirt to help prevent water intrusion at the sill or threshold and follow the [DuPont™ Tyvek® Mechanically-Fastened Weather-Resistive Barrier Installation Guidelines For Buildings Greater Than 4 Stories and High Performance Installations of Any Height](#) and the [DuPont Self-Adhered Flashing Systems Installation Guidelines For Buildings Greater Than 4 Stories and High Performance Installations of Any Height](#).
3. **DuPont Self-Adhered Flashing Products** should be installed on clean, dry surfaces that are free of frost. Wipe surfaces to remove moisture, dirt, grease and other debris that could interfere with adhesion.
4. **DuPont Self-Adhered Flashing Products** perform best when installed at temperatures above 25°F (-4°C).
5. Adverse weather conditions or cold temperatures may require use of a primer to promote adhesion of **DuPont Self-Adhered Flashing Products** to most common building materials. Concrete, masonry, and fiber-faced exterior gypsum board require the use of **DuPont™ Adhesive/Primer** or recommended primer.
6. Apply pressure along entire surface of flashing for a good bond using firm hand pressure, J-roller, or alternate tool without sharp edges (such as a plastic carpet tuck tool) to assist with application of uniform pressure during installation of **DuPont Self-Adhered Flashing Products**.
7. Remove all wrinkles and bubbles by smoothing surface and repositioning as necessary.
8. **DuPont Self-Adhered Flashing Products** are not intended for through-wall flashing applications.
9. When flashing the sill area for windows and doors, DuPont recommends the use of 6" wide **DuPont™ FlexWrap™** for 2"x 4" framing and 9" wide **FlexWrap™** for 2" x 6" framing. When rigid back dams are required or desired, an option would be to use a ¾" corner guard (back dam) cut to the length of the sill and nail into place on the interior edge of the sill prior to installation of 9" wide **FlexWrap™**. Then install 9" wide **FlexWrap™** over sill and corner guard back dam.
10. **DO NOT STRETCH FlexWrap™** when installing along sills or jambs. **FlexWrap™** is only intended to be stretched when covering corners or curved sections.
11. Avoid placing **DuPont™ Tyvek® Wrap Cap Fasteners**, or recommended fasteners, where flashing will be installed; however, fasteners can be installed over the flashing.
12. **Great Stuff Pro™ Window and Door Polyurethane Foam Sealant** can be used in lieu of sealant to create a continuous seal around the interior perimeter of the window openings. When using **Great Stuff Pro™ Window and Door Polyurethane Foam Sealant** in perimeter openings less than ½", apply using the plastic extension tip for the **Great Stuff™ Dispenser Gun** during installation.
13. For high performance installations exceeding ASTM E1677 wind loading pressures (10.8 psf, 65 mph equivalent structural load) and ASTM E331 water infiltration resistance of 6.24 psf, it is necessary to install sealant over the cured foam when using **Great Stuff Pro™ Polyurethane Foam Sealant** or other recommended foam. Sealant should be installed over the foam between the window frame and rough opening around the entire interior perimeter. If **Great Stuff Pro™ Polyurethane Foam Sealant**, or other recommended foam, extends beyond the window frame, shave the excess cured foam flush with the window frame before applying sealant. Avoid damaging the **DuPont Self-Adhered Flashing** or **Tyvek® WRB**.
14. For extreme/coastal exposures installation of a high-pressure skirt is recommended to help prevent water intrusion at the sill or threshold.
15. For high pressure design loads, the use of **DuPont™ Flashing Tape** or **DuPont™ StraightFlash™** with **Tyvek® Wrap Cap Fasteners**, or recommended fasteners is required to secure the head flap of the windows.
16. Before applying **DuPont™ Tyvek® Tape**, surfaces should be dry and clean. During installation apply firm, even pressure with hand or "J" roller.

Special Considerations (continued)

17. In lieu of temporarily taping, **DuPont™ Tyvek® WRB** flaps at window head and jambs can be tucked under the installed **Tyvek® WRB**.
 18. Door and window rough sill framing must be level or slightly sloped to the exterior to ensure proper drainage to the exterior. This best practice ensures continuous support with positive slope to the exterior.
 19. **Tyvek® WRBs** must not come in direct contact with cured or uncured fluid-applied and/or deck coating waterproofing products due to potential impact on performance properties. **DuPont™ StraightFlash™** can be used as transitional membrane.
 20. DuPont requires **DuPont™ Tyvek® HomeWrap®**, **Tyvek® StuccoWrap®**, and **Tyvek® DrainWrap™** be covered within four months (120 days) of installation. DuPont requires **DuPont™ Tyvek® CommercialWrap®** and **Tyvek® CommercialWrap® D** be covered within nine months (270 days) of installation.
 21. The maximum in-service temperature for **Tyvek® WRBs** and **DuPont Self-Adhered Flashing Products** is 180°F.
 22. Tower® Residential Sealant (formerly DuPont™ Residential Sealant) is designed for use with DuPont products and can be used where sealant is outlined in this guide. This change represents a branding change only—chemical composition and performance characteristics of the sealant are unchanged.
- Direct water onto an acceptable air and water barrier drainage plane with an unobstructed path to the exterior of the wall. Provide a drainage path for any water intrusion through the window/door attachment system that collects at the sill.
 - Properly integrate flashing with acceptable **Tyvek® WRB**. Self-adhered flashing must be applied with a minimum 2" lap onto the WRB.
 - DuPont requires that **FlexWrap™** and **StraightFlash™** be covered within nine months (270 days) of installation. DuPont requires that **DuPont™ Flashing Tape** be covered within four months (120 days) of installation.
 - Properly prepare all surfaces (remove dirt, dust, or moisture, etc.) per manufacturer's recommendations.
 - Barrier installations (full perimeter seal on exterior) are acceptable only in the following instances: Slab on grade doors, store front windows, or other systems with built-in drainage mechanisms that have potential for exposure to standing water
 - Surface barrier wall systems with non-water sensitive framing material (i.e., CMU walls)
 - Very low wind / rain exposure regions (southwest / desert) that follow AAMA 2400 installation guideline
 - Ensure that window / door and flashing system design takes into account common factors that will impact performance, such as:
 - Climate considerations: Rainfall, Wind, Temperature (hot / cold cycles), Humidity
 - Building design: Window / Wall Design (overhangs, recessed openings, bump-outs), Wall Assembly (wood frame or masonry), Window System (wood or vinyl), New Construction or Replacement Window drainage path
 - UV exposure prior to the construction of the exterior facade
 - Compliance with fire resistance code requirements. For more information about NFPA 285 compliant wall assemblies utilizing **Tyvek® WRBs** visit building.dupont.com.
 - Field testing the window / door and wall installation as a complete system is a recommended best practice.
 - Use of trained installers is highly recommended.

For additional guidance, please call 1-833-338-7668, visit our website at building.dupont.com, or consult your local DuPont Representative.

Key Installation Requirements for Drainable Window/Door Installation

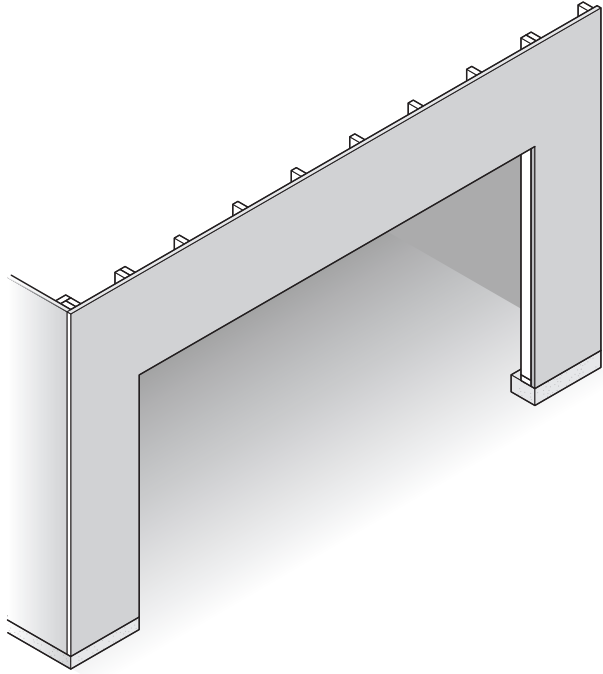
When flashing windows or doors, the following principles must be followed:

- When installed properly, **StraightFlash™**, **DuPont™ FlexWrap™**, and **DuPont™ Flashing Tape** provide nail sealability at window/door openings to help protect critical window-wall interfaces. Metal sill pan flashing may be used, but must not replace flexible sill flashing that provides nail sealability.
- **DuPont Self-Adhered Flashing Products** comply with AAMA 711-13, *Voluntary Specification for Self Adhering Flashing Used for Installation of Exterior Wall Fenestration Products*, which has a modified version of ASTM D 1970 and it is more representative for vertical wall applications.
- Ensure that sill flashing does not slope to the interior. An exterior slope is recommended, but not required.

Sealants and Adhesives/Primers

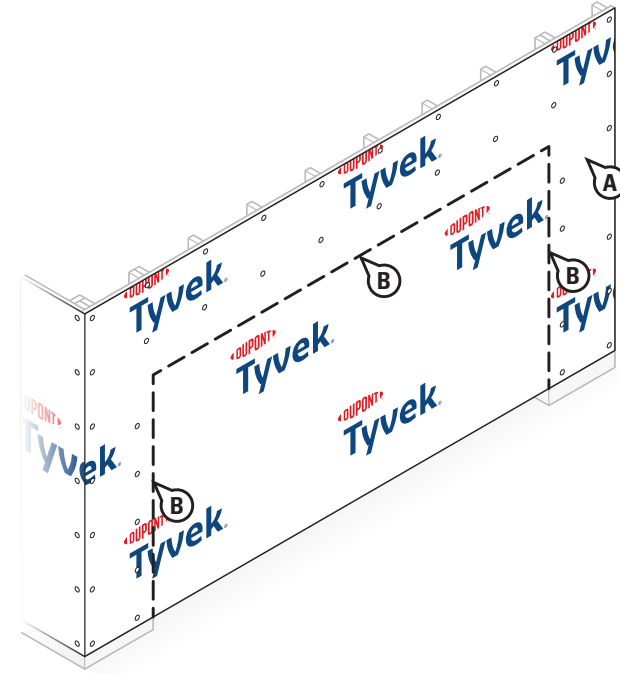
Review the manufacturers' literature or label to confirm that the product(s) used have the chemical and adhesive properties necessary for use with **Tyvek® WRBs** and **DuPont Self-Adhered Flashing Products**. Ensure the sealant materials meet the installation temperature requirements of the sealant manufacturer. Refer to [Chemical Compatibility of Representative Building Sealants and Adhesives/Primers](#) for more information about chemical compatibility.

Installation Methods for DuPont Self-Adhered Flashing Products Installed **AFTER** the DuPont™ Tyvek® WRB Option 1 for Garage Doors – Standard I-Cut with Drip Cap Sealed to Sheathing



STEP 1

Cut rough opening in sheathing for garage door.

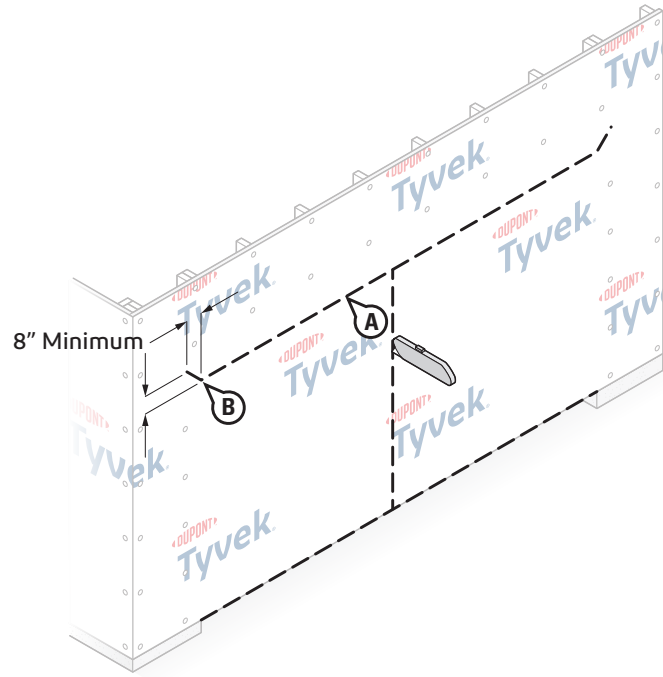


STEP 2

- A. Wrap wall as shown in [DuPont™ Tyvek® Water-Resistive and Air Barrier \(WRB\) Installation Guidelines for Buildings Less Than 5 Stories and Low-Rise Multi-Family Residential Buildings Less Than 6 Stories](#) that can be found at building.dupont.com.
- B. Do not install fasteners within 6" of the jambs of the openings and within 9" of the head of the openings.

Installation Methods for DuPont Self-Adhered Flashing Products Installed AFTER the DuPont™ Tyvek® WRB

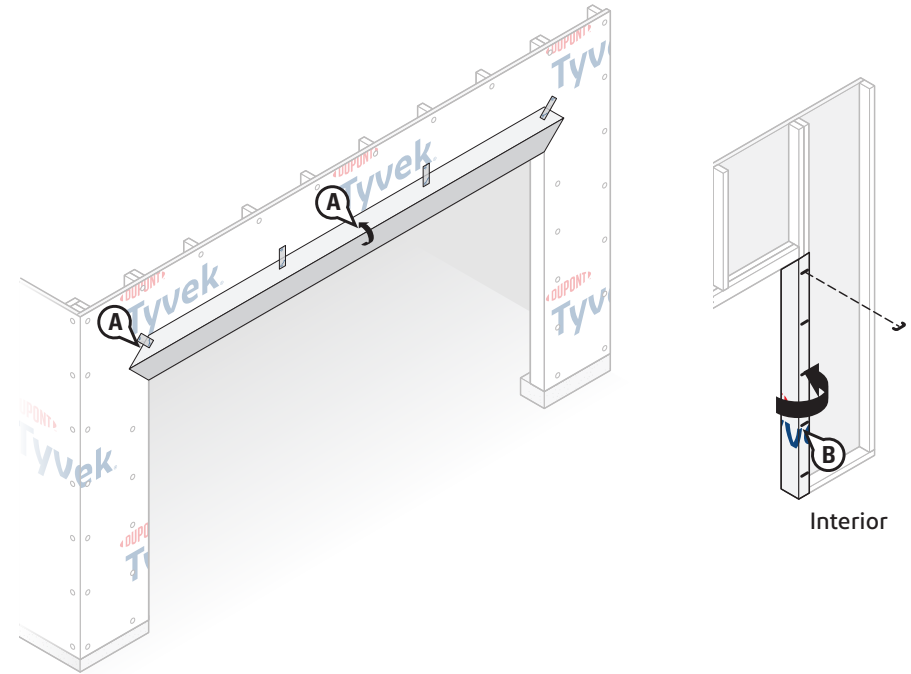
Option 1 for Garage Doors – Standard I-Cut with Drip Cap Sealed to Sheathing



STEP 3

Prepare the **DuPont™ Tyvek® WRB** for garage door installation.

- Make an “I-Cut” (Standard I-Cut) in the **Tyvek® WRB** (modified I-Cut is also accepted). For an “I-Cut”, begin with a horizontal cut across the bottom and the top of the garage door frame. From the center, cut straight down to the sill.
- Cut two 45 degree slits a minimum of 8” extending from the corner of the window head, up and away from the window opening.



STEP 4

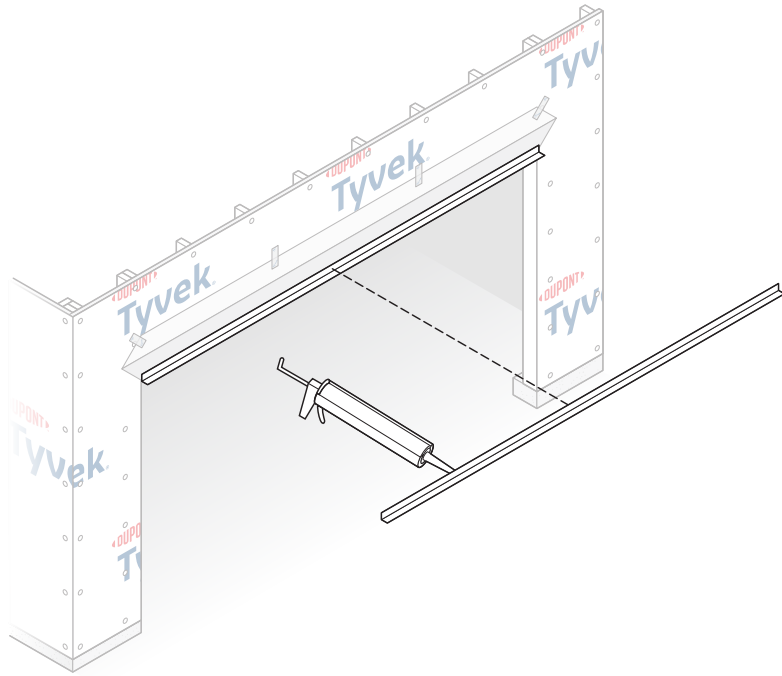
- Flip head flap up and temporarily secure with **DuPont™ Tyvek® Tape**.

ALTERNATE METHOD TO SECURE HEAD FLAP: In lieu of temporarily taping, the head flap can be tucked under the **Tyvek® WRB**.

NOTE: Some garage doors and flashing widths may require longer slits.

- Fold side flaps into rough opening and secure to inside wall. Cut off excess flaps if desired.

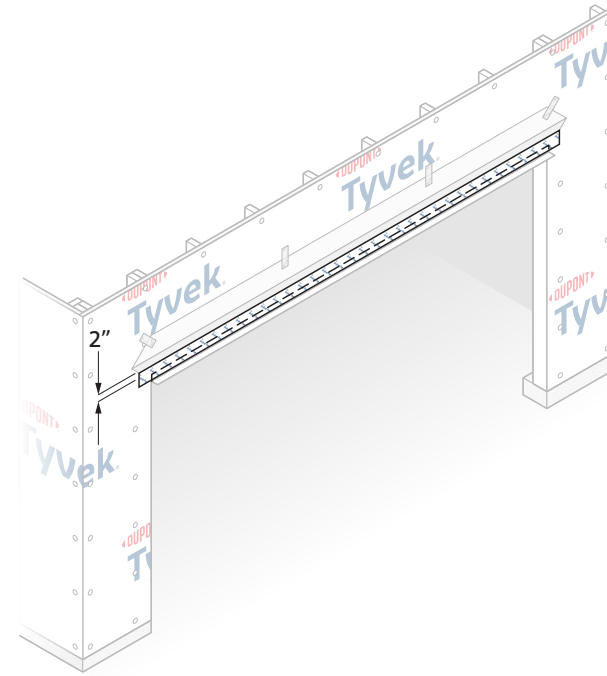
Installation Methods for DuPont Self-Adhered Flashing Products Installed AFTER the DuPont™ Tyvek® WRB Option 1 for Garage Doors – Standard I-Cut with Drip Cap Sealed to Sheathing



STEP 5

Cut a piece of metal or vinyl drip cap slightly longer than the garage door's width and install the drip cap against the sheathing. As a recommended best practice, place a bead of Tower® Residential Sealant, or recommended sealant, on the rear side of the drip cap prior to installation.

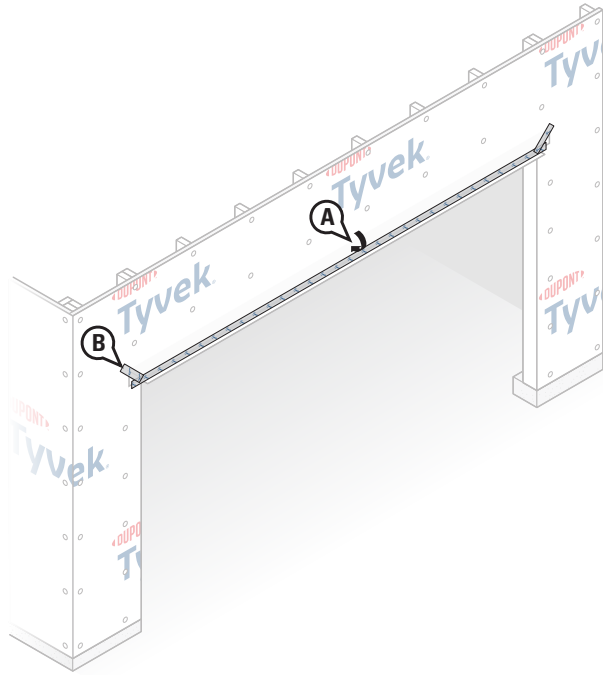
NOTE: For brick mold installations, install brick mold around the garage door opening prior to installing the drip cap. Drip cap will be installed above the brick mold. As a recommended best practice, embed horizontal leg of the drip cap in sealant (in addition to the vertical leg as shown above).



STEP 6

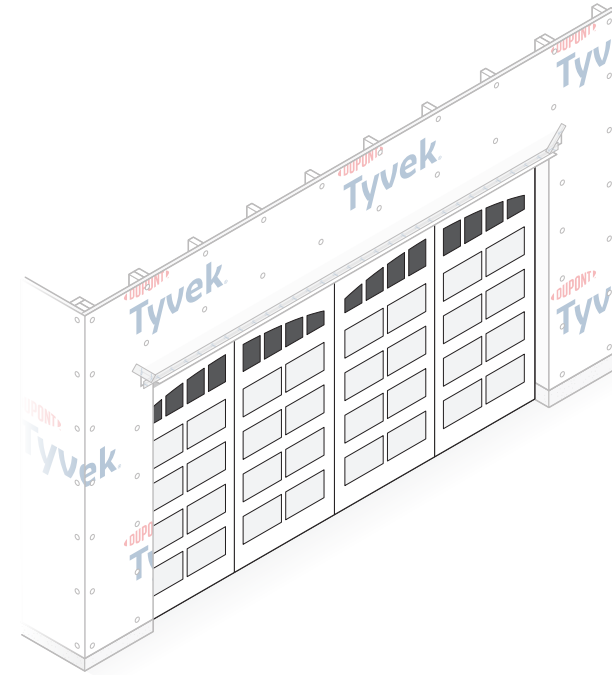
Cover the head flange and top edge of the drip cap with a piece of **DuPont™ Flashing Tape** or **DuPont™ StraightFlash™**. The **DuPont Self-Adhered Flashing Products™** should be long enough to extend beyond the drip cap a minimum 2" on each side and adhere a minimum of 2" onto the sheathing above.

Installation Methods for DuPont Self-Adhered Flashing Products Installed AFTER the DuPont™ Tyvek® WRB Option 1 for Garage Doors – Standard I-Cut with Drip Cap Sealed to Sheathing



STEP 7

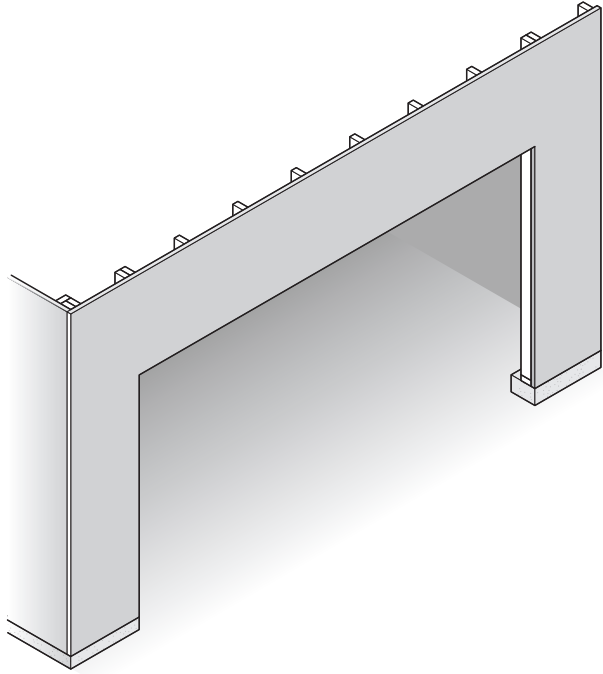
- A. Flip down the head flap and trim 1" to 2" above the door opening. Terminate flap along the top of the door with 2" **DuPont™ Tyvek® Tape** or **DuPont Self Adhered Flashing Product**.
- B. Apply **Tyvek® Tape** or **DuPont Self-Adhered Flashing Product** over the diagonal seams.



STEP 8

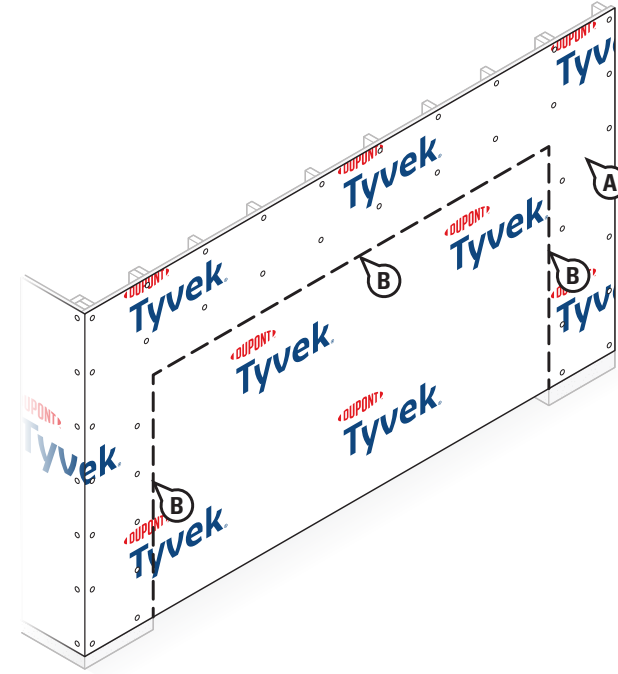
- Install garage door per manufacturer's installation instructions.

Installation Methods for DuPont Self-Adhered Flashing Products Installed **AFTER** the DuPont™ Tyvek® WRB Option 2 for Garage Doors – I-Cut and Three-Piece Head Detail with Drip Cap Sealed Over Flashing



STEP 1

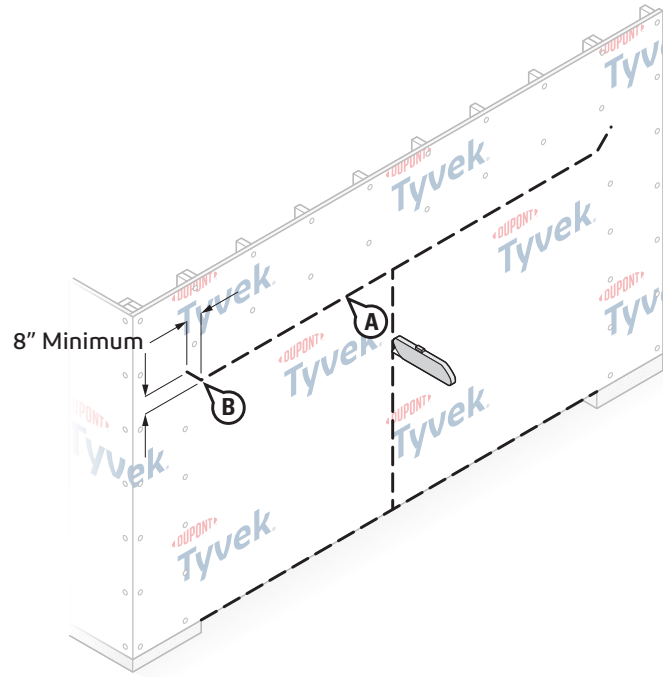
Cut rough opening in sheathing for garage door.



STEP 2

- A. Wrap wall as shown in [DuPont™ Tyvek® Water-Resistive and Air Barrier \(WRB\) Installation Guidelines for Buildings Less Than 5 Stories and Low-Rise Multi-Family Residential Buildings Less Than 6 Stories](#) that can be found at building.dupont.com.
- B. Do not install fasteners within 6" of the jambs of the openings and within 9" of the head of the openings.

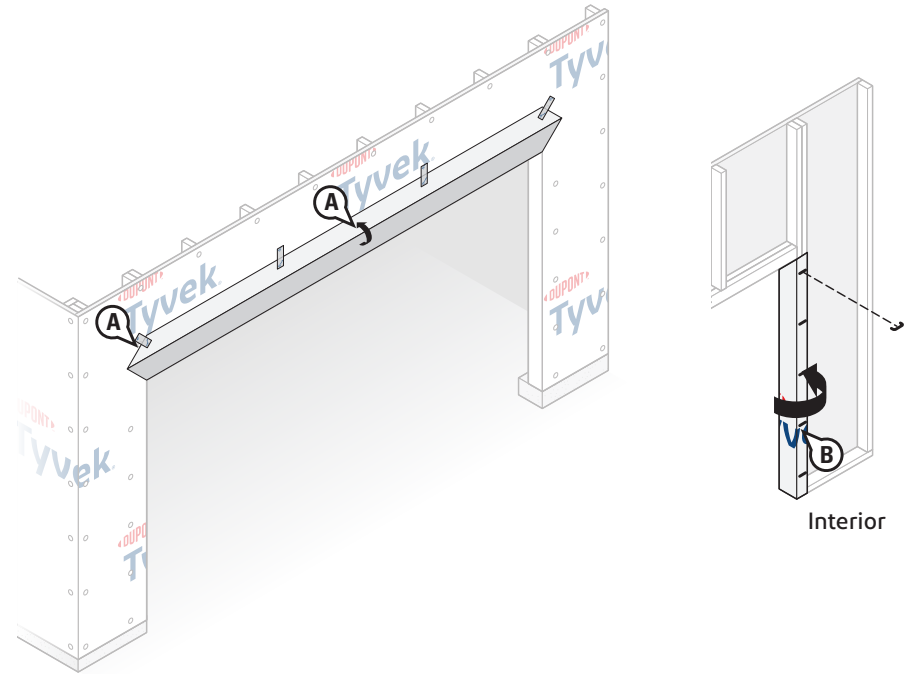
Installation Methods for DuPont Self-Adhered Flashing Products Installed AFTER the DuPont™ Tyvek® WRB Option 2 for Garage Doors – I-Cut and Three-Piece Head Detail with Drip Cap Sealed Over Flashing



STEP 3

Prepare the **DuPont™ Tyvek® WRB** for garage door installation.

- Make an “I-Cut” (Standard I-Cut) in the **Tyvek® WRB** (modified I-Cut is also accepted). For an “I-Cut”, begin with a horizontal cut across the bottom and the top of the garage door frame. From the center, cut straight down to the sill.
- Cut two 45 degree slits a minimum of 8” extending from the corner of the window head, up and away from the window opening.



STEP 4

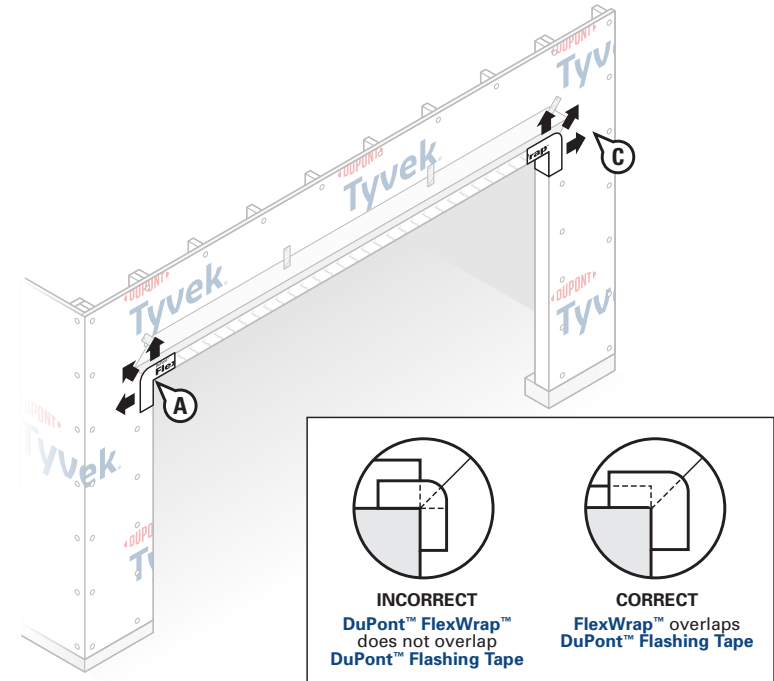
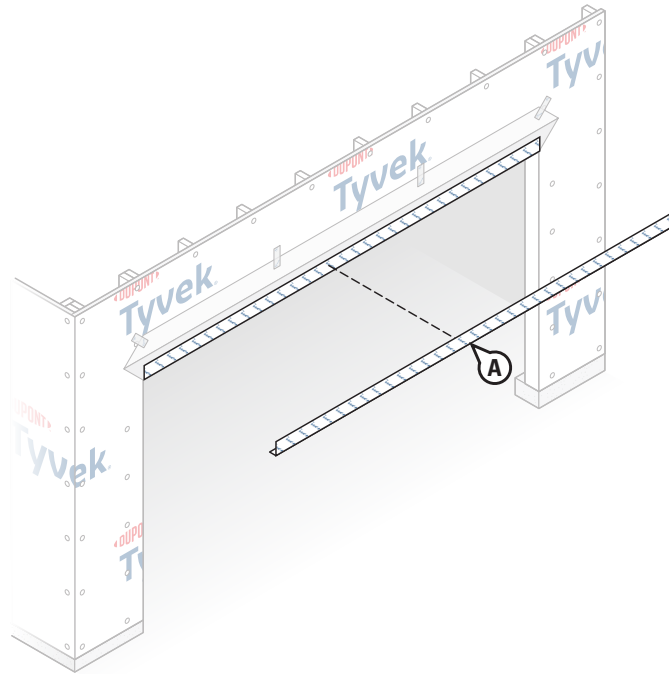
- Flip head flap up and temporarily secure with **DuPont™ Tyvek® Tape**.

ALTERNATE METHOD TO SECURE HEAD FLAP: In lieu of temporarily taping, the head flap can be tucked under the **Tyvek® WRB**.

NOTE: Some windows and flashing widths may require longer slits.

- Fold side flaps into rough opening and secure to inside wall. Cut off excess flaps if desired.

Installation Methods for DuPont Self-Adhered Flashing Products Installed AFTER the DuPont™ Tyvek® WRB
Option 2 for Garage Doors – I-Cut and Three-Piece Head Detail with Drip Cap Sealed Over Flashing



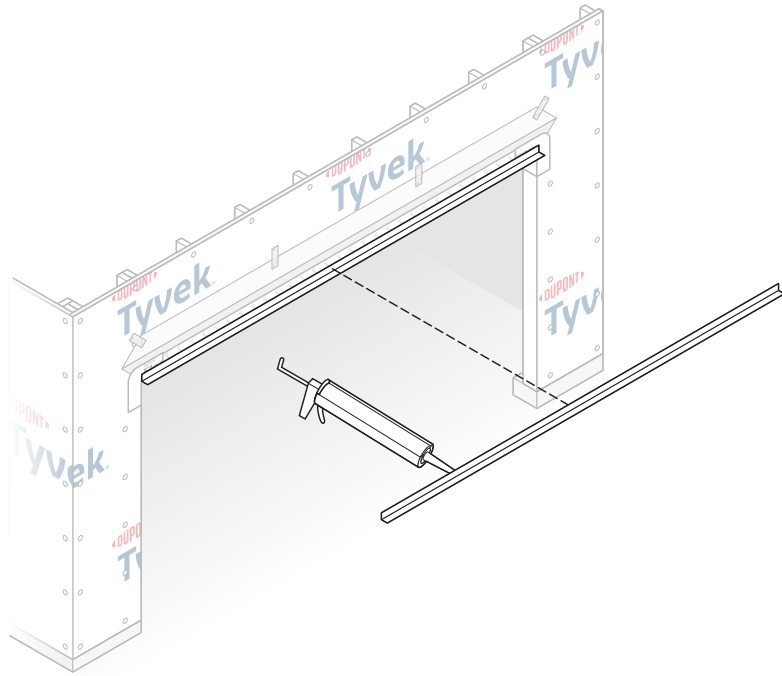
STEP 5

- A. Cut a piece of **DuPont™ Flashing Tape** or **DuPont™ StraightFlash™** the horizontal width of the rough opening. Use roll widths sufficient to achieve a minimum of 1" adhesion BEYOND where the door frame will be located, ensuring 2"– 3" of adhesion onto the face of the wall.
- B. Remove release paper and adhere first onto flat part of the head, then onto the sheathing on the face of the wall above. Install **DuPont™ Flashing Tape** or **StraightFlash™** along the full width of the head of the garage door opening.

STEP 6

- A. Cut 2 pieces of **DuPont™ FlexWrap™** a minimum of 12" for each corner. Use roll widths sufficient to achieve a minimum of 1" adhesion BEYOND where the door frame will be located, ensuring 2"– 3" adhesion onto the face of the wall.
- B. Remove wide piece of release paper and adhere onto inside framing at corner, with at least 6" down the jamb and 6" onto the head, overlapping onto the **DuPont™ Flashing Tape** or **StraightFlash™**. **NOTE:** Align the inside edge of the narrow release paper with the face of the wall to ensure 2"– 3" of the **FlexWrap™** will be adhered to the face of the wall.
- C. Remove narrow release paper, fan out **FlexWrap™**, and adhere. Repeat for opposite corner.

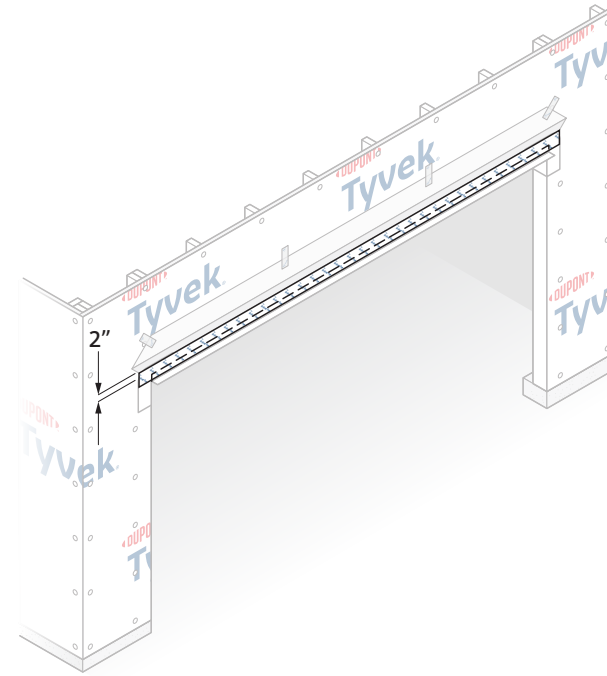
Installation Methods for DuPont Self-Adhered Flashing Products Installed AFTER the DuPont™ Tyvek® WRB Option 2 for Garage Doors – I-Cut and Three-Piece Head Detail with Drip Cap Sealed Over Flashing



STEP 7

Cut a piece of metal or vinyl drip cap slightly longer than the garage door's width and install the drip cap against the sheathing. As a recommended best practice, place a bead of Tower® Residential Sealant, or recommended sealant, on the rear side of the drip cap prior to installation.

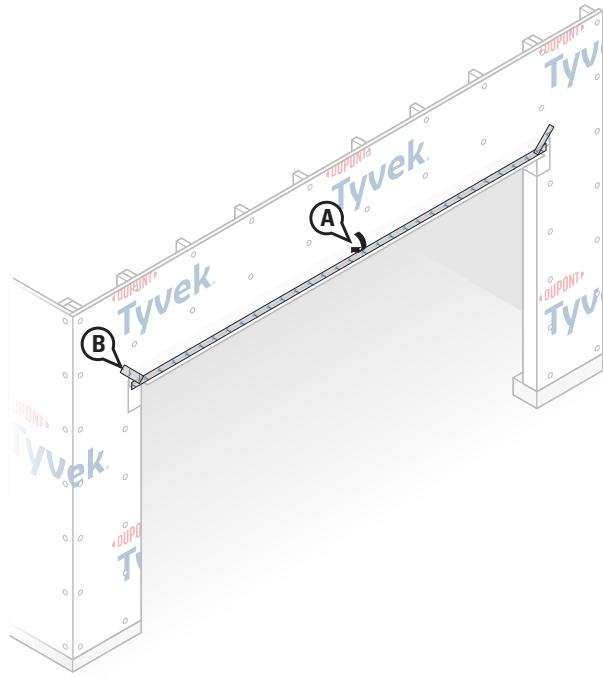
NOTE: For brick mold installations, install brick mold around the garage door opening prior to installing the drip cap. Drip cap will be installed above the brick mold. As a recommended best practice, embed horizontal leg of the drip cap in sealant (in addition to the vertical leg as shown above).



STEP 8

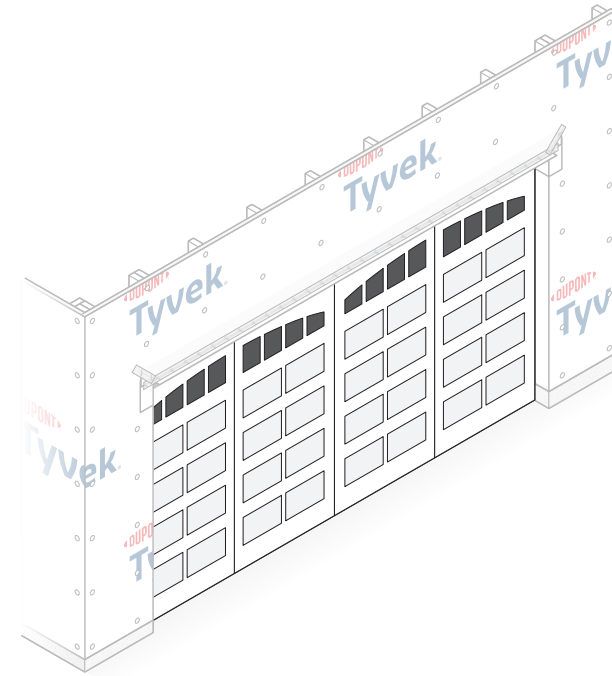
Cover the head flange and top edge of the drip cap with a piece of **DuPont™ Flashing Tape** or **DuPont™ StraightFlash™**. The **DuPont Self-Adhered Flashing Products** should be long enough to extend beyond the drip cap a minimum 2" on each side and adhere a minimum of 2" onto the sheathing above.

Installation Methods for DuPont Self-Adhered Flashing Products Installed **AFTER** the DuPont™ Tyvek® WRB Option 2 for Garage Doors – I-Cut and Three-Piece Head Detail with Drip Cap Sealed Over Flashing



STEP 9

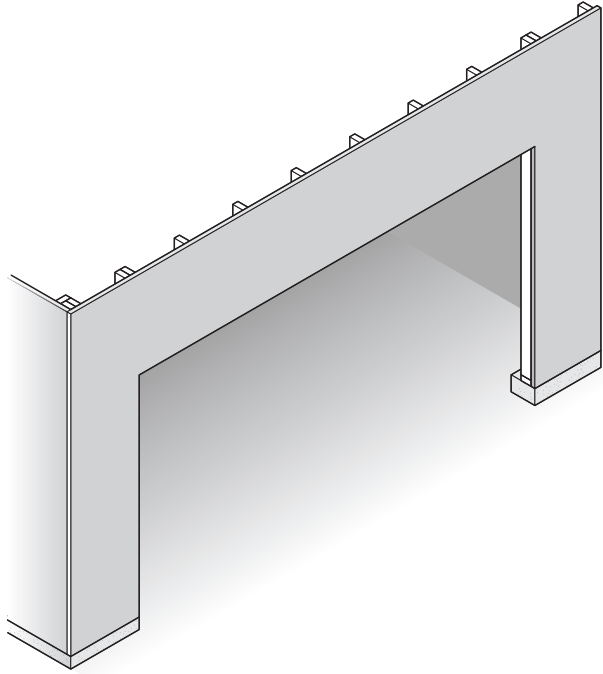
- A. Flip down the head flap and trim 1" to 2" above the door opening. Terminate flap along the top of the door with 2" **DuPont™ Tyvek® Tape** or **DuPont Self-Adhered Flashing Product**.
- B. Apply **Tyvek® Tape** or **DuPont Self-Adhered Flashing Product** over the diagonal seams.



STEP 10

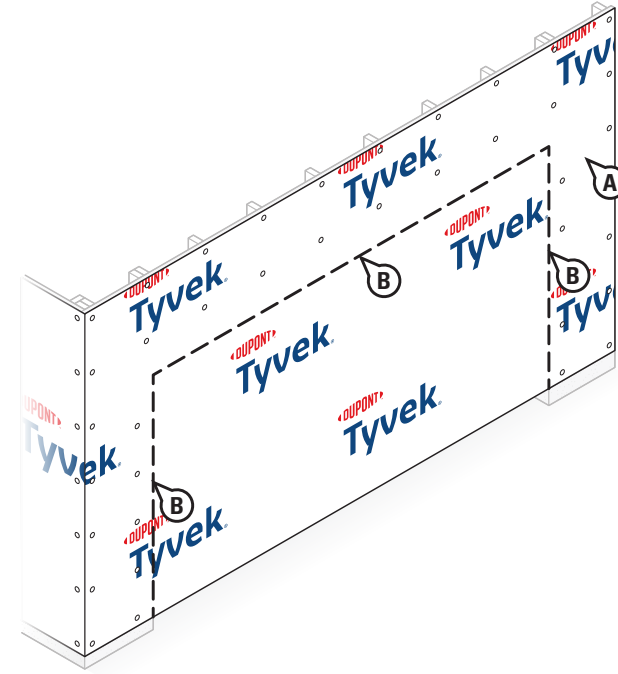
- Install garage door per manufacturer's installation instructions.

Installation Methods for DuPont Self-Adhered Flashing Products Installed AFTER the DuPont™ Tyvek® WRB
Option 3 for Garage Doors – Flush Cut (O-Cut) and “Wrap the Cavity” Flashing Method with Drip Cap Sealed Over Flashing



STEP 1

Cut rough opening in sheathing for garage door.

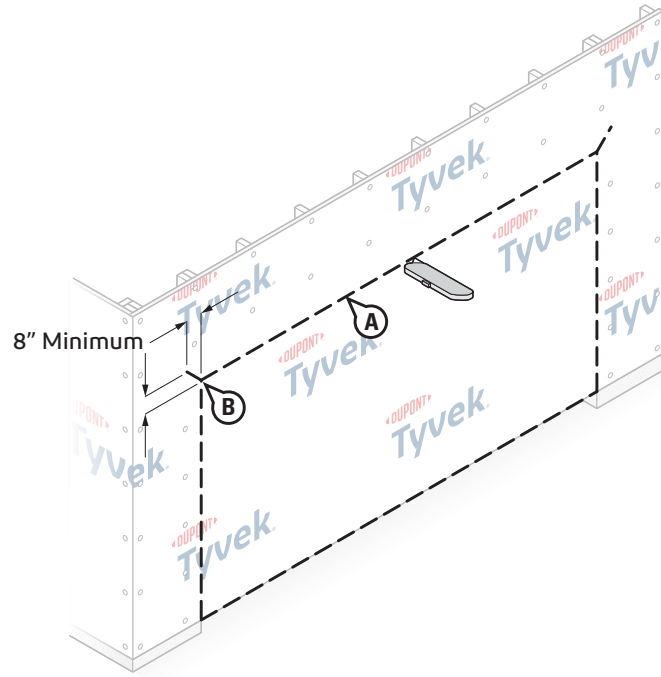


STEP 2

- A. Wrap wall as shown in [DuPont™ Tyvek® Water-Resistive and Air Barrier \(WRB\) Installation Guidelines for Buildings Less Than 5 Stories and Low-Rise Multi-Family Residential Buildings Less Than 6 Stories](#) that can be found at building.dupont.com.
- B. Do not install fasteners within 6” of the jambs of the openings and within 9” of the head of the openings.

Installation Methods for DuPont Self-Adhered Flashing Products Installed AFTER the DuPont™ Tyvek® WRB

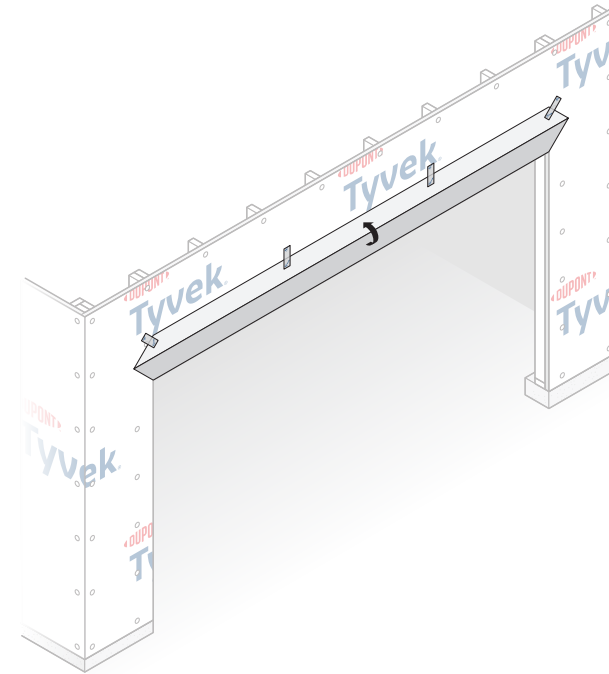
Option 3 for Garage Doors – Flush Cut (O-Cut) and “Wrap the Cavity” Flashing Method with Drip Cap Sealed Over Flashing



STEP 3

Prepare the **DuPont™ Tyvek® WRB** for garage door installation.

- Cut an opening in the **Tyvek® WRB** using a square cut around the perimeter of the rough opening. Cuts should be made along the dashed lines indicated. Ensure that the **Tyvek® WRB** is cut flush with the sheathing and is not wrapped into the rough opening.
- Cut two 45 degree slits a minimum of 8” extending from the corner of the window head, up and away from the window opening.



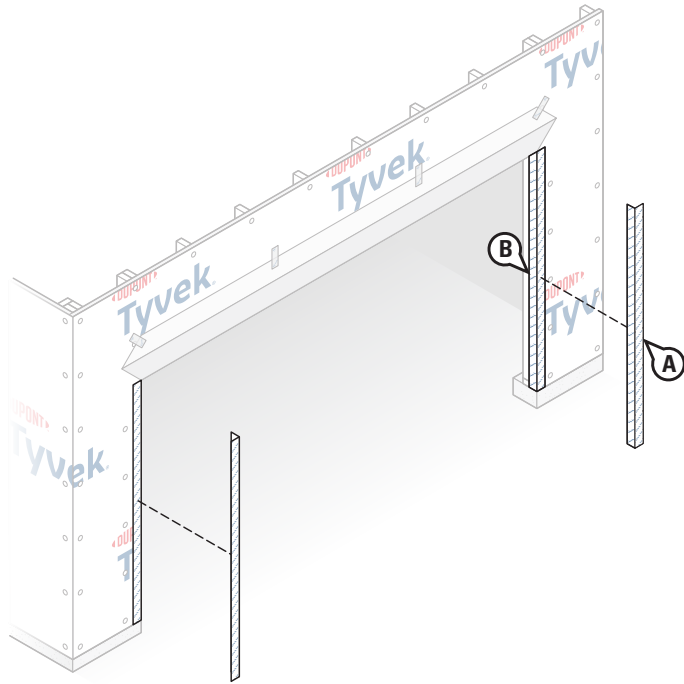
STEP 4

Flip head flap up and temporarily secure with **DuPont™ Tyvek® Tape**.

ALTERNATE METHOD TO SECURE HEAD FLAP: In lieu of temporarily taping, the head flap can be tucked under the **Tyvek® WRB**.

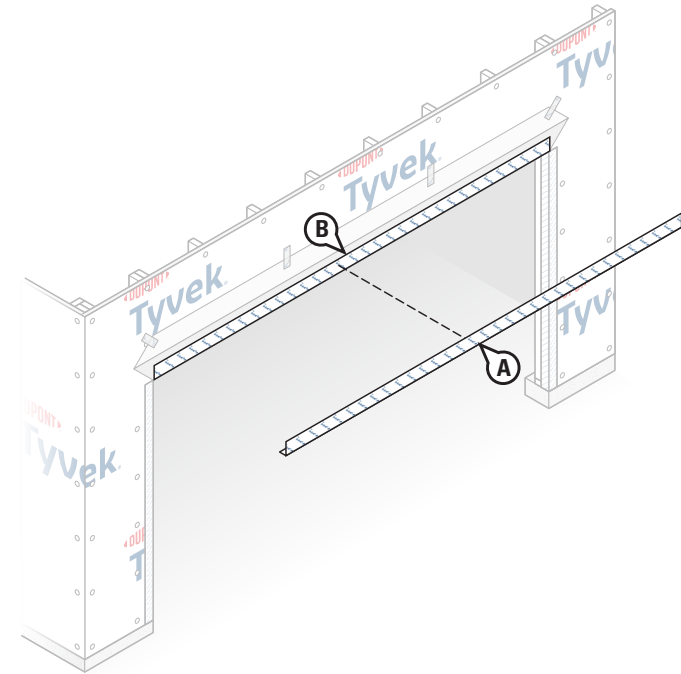
NOTE: Some windows and flashing widths may require longer slits.

Installation Methods for DuPont Self-Adhered Flashing Products Installed AFTER the DuPont™ Tyvek® WRB
Option 3 for Garage Doors – Flush Cut (O-Cut) and “Wrap the Cavity” Flashing Method with Drip Cap Sealed Over Flashing



STEP 5

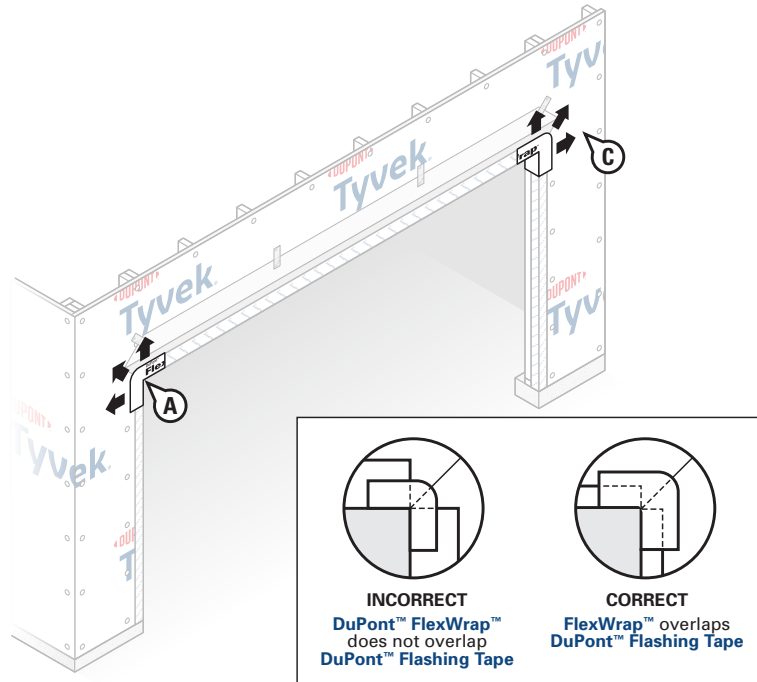
- A. Cut a piece of **DuPont™ Flashing Tape** or **DuPont™ StraightFlash™** for the jamb flashing the vertical length of the rough opening. Jamb flashing should be long enough to overlap bottom of wall flashing (if applicable) by at least 2” and be overlapped by future head flashing by at least 2”.
- B. Wrap **DuPont™ Flashing Tape** or **StraightFlash™** into the rough opening at each jamb and onto wall face. The flashing should align with the interior edge of the jamb framing.



STEP 6

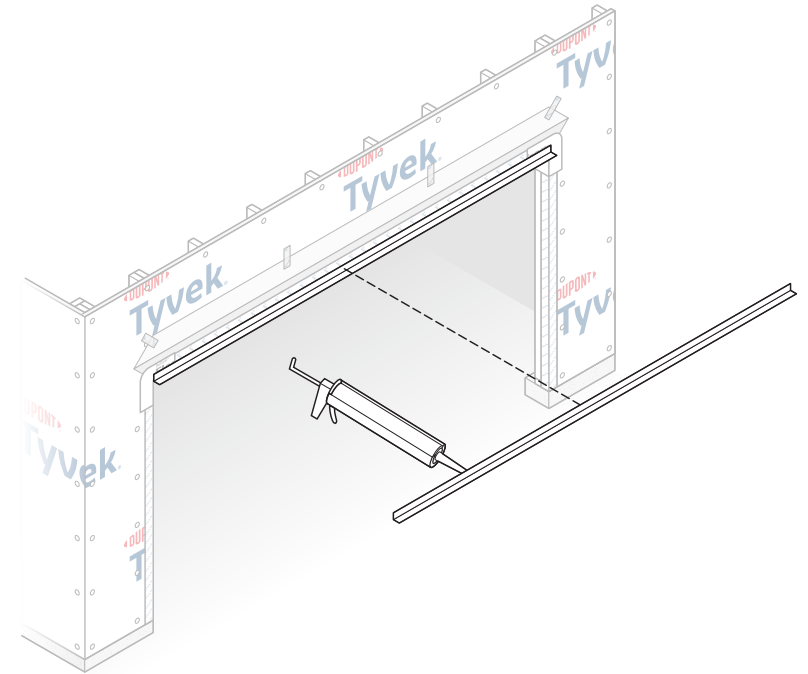
- A. Cut a piece of **DuPont™ Flashing Tape** or **DuPont™ StraightFlash™** the horizontal width of the rough opening. Use roll widths sufficient to achieve a minimum of 1” adhesion BEYOND where the door frame will be located, ensuring 2”– 3” of adhesion onto the face of the wall.
- B. Remove release paper and adhere first onto flat part of the head, then onto the sheathing on the face of the wall above. Install **DuPont™ Flashing Tape** or **StraightFlash™** along the full width of the head of the garage door opening.

Installation Methods for DuPont Self-Adhered Flashing Products Installed AFTER the DuPont™ Tyvek® WRB
Option 3 for Garage Doors – Flush Cut (O-Cut) and “Wrap the Cavity” Flashing Method with Drip Cap Sealed Over Flashing



STEP 7

- A. Cut 2 pieces of **FlexWrap™** a minimum of 12” for each corner. Use roll widths sufficient to achieve a minimum of 1” adhesion BEYOND where the door frame will be located, ensuring 2”– 3” adhesion onto the face of the wall.
- B. Remove wide piece of release paper and adhere onto inside framing at corner, with at least 6” down the jamb and 6” onto the head, overlapping onto the **DuPont™ Flashing Tape** or **DuPont™ StraightFlash™**. **NOTE:** Align the inside edge of the narrow release paper with the face of the wall to ensure 2”– 3” of the **FlexWrap™** will be adhered to the face of the wall.
- C. Remove narrow release paper, fan out **FlexWrap™**, and adhere. Repeat for opposite corner.

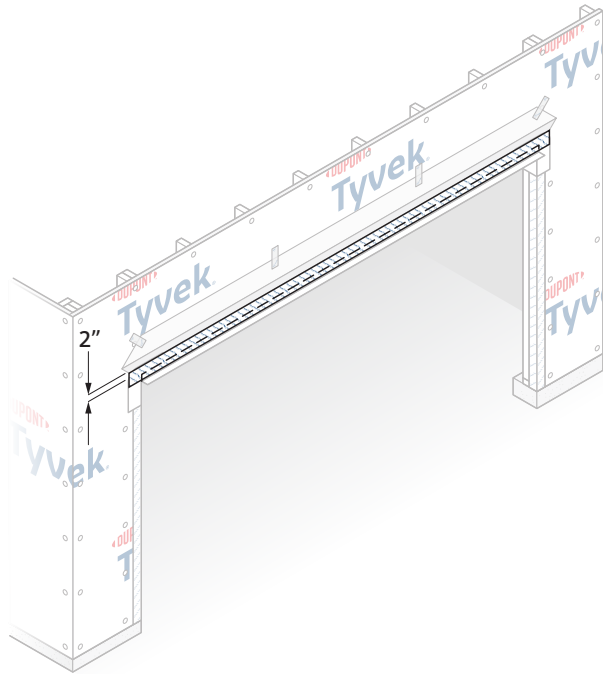


STEP 8

Cut a piece of metal or vinyl drip cap slightly longer than the garage door’s width and install the drip cap against the sheathing. As a recommended best practice, place a bead of Tower® Residential Sealant, or recommended sealant, on the rear side of the drip cap prior to installation.

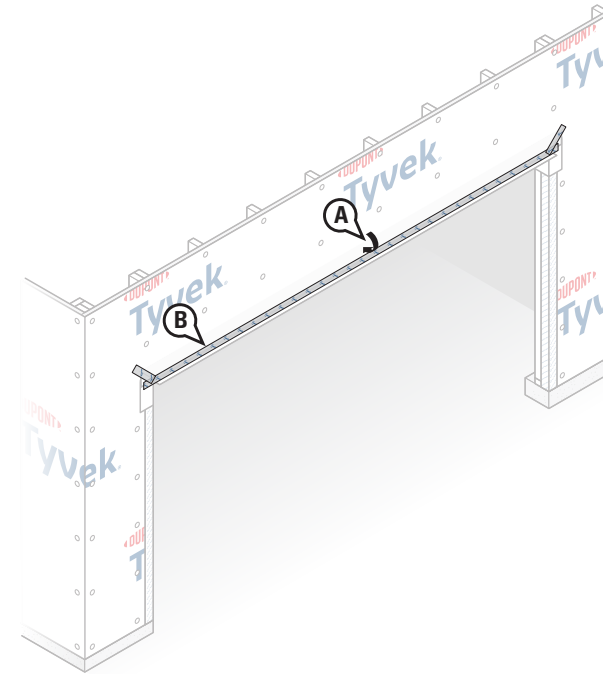
NOTE: For brick mold installations, install brick mold around the garage door opening prior to installing the drip cap. Drip cap will be installed above the brick mold. As a recommended best practice, embed horizontal leg of the drip cap in sealant (in addition to the vertical leg as shown above).

Installation Methods for DuPont Self-Adhered Flashing Products Installed AFTER the DuPont™ Tyvek® WRB
Option 3 for Garage Doors – Flush Cut (O-Cut) and “Wrap the Cavity” Flashing Method with Drip Cap Sealed Over Flashing



STEP 9

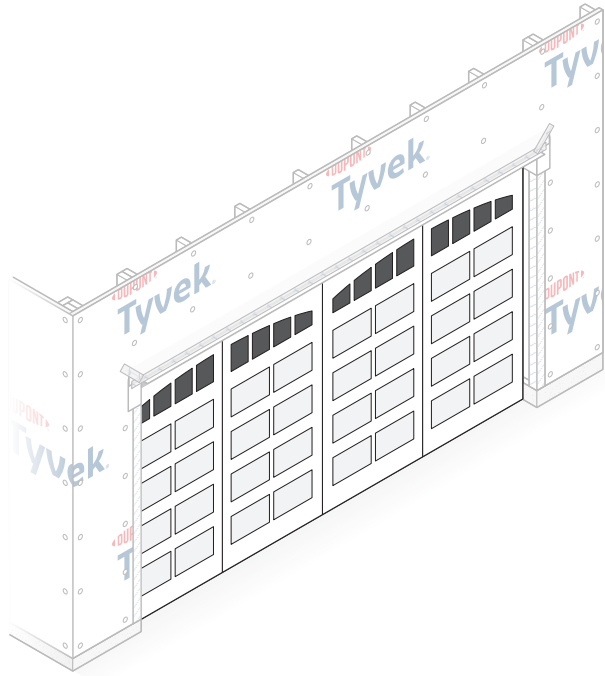
Cover the head flange and top edge of the drip cap with a piece of **DuPont™ Flashing Tape, DuPont™ StraightFlash™, or DuPont™ FlexWrap™**. The **DuPont Self-Adhered Flashing Products** should be long enough to extend beyond the drip cap a minimum 2" on each side and adhere a minimum of 2" onto the sheathing above.



STEP 10

- A. Flip down the head flap and trim 1" to 2" above the door opening. Terminate flap along the top of the door with 2" **DuPont™ Tyvek® Tape** or **DuPont Self-Adhered Flashing Product**.
- B. Apply **Tyvek® Tape** or **DuPont Self-Adhered Flashing Product** over the diagonal seams.

Installation Methods for DuPont Self-Adhered Flashing Products Installed AFTER the DuPont™ Tyvek® WRB
Option 3 for Garage Doors – Flush Cut (O-Cut) and “Wrap the Cavity” Flashing Method with Drip Cap Sealed Over Flashing



STEP 11

Install garage door per manufacturer's installation instructions.

Product Composition and UV Stability

DuPont™ Tyvek® WRBs used in construction products are made from 100% flash spunbonded high density polyethylene fibers which have been bonded together by heat and pressure, without binders or fillers, into a tough durable sheet structure. Additives have been incorporated into the polyethylene to provide ultraviolet light resistance. DuPont requires that **DuPont™ Tyvek® HomeWrap®**, **Tyvek® DrainWrap™**, **Tyvek® StuccoWrap®**, and **Tyvek® ThermaWrap® LE** be covered within 4 months (120 days) of installation. DuPont requires that **DuPont™ Tyvek® CommercialWrap®** and **Tyvek® CommercialWrap® D** be covered within 9 months (270 days) of installation.

DuPont Self-Adhered Flashing Products are made from a synthetic rubber adhesive and a laminate of polyethylene film, polypropylene film, elastic fiber, synthetic rubber adhesive, polyurethane adhesive, and a top sheet of flash spunbonded high density polyethylene fibers or polypropylene film. Additives have been incorporated into these materials to provide ultraviolet light resistance. DuPont requires that **DuPont™ FlexWrap™** and **DuPont™ StraightFlash™** be covered within nine months (270 days) of installation. DuPont requires that **DuPont™ Flashing Tape** be covered within 4 months (120 days) of installation.

Design Considerations

When installed in conjunction with other building materials, **Tyvek® WRBs** and **DuPont Self-Adhered Flashing Products** must be properly shingled with these materials such that water is diverted to the exterior of the wall system. **Tyvek® WRBs** are secondary weather barriers. The outer facade is the primary barrier. Follow facade manufacturer's installation and maintenance requirements for all facade systems in order to maintain water holdout properties and ensure performance of **Tyvek® WRBs**. Do not install on a wall that does not feature a continuous path for moisture drainage. Any standing water must be allowed to drain off the membrane. Follow facade manufacturer's installation and maintenance requirements for all facade systems in order to maintain water holdout properties and ensure performance of **Tyvek® WRBs**. Use of additives, coatings or cleansers on or in the facade system may impact the performance of **Tyvek® WRBs**. DuPont Building Envelope Solutions Products are to be used as outlined in this installation guideline. **DuPont Self-Adhered Flashing Products** should only be used to seal penetrations and flash openings in buildings. **Tyvek® WRBs** and **DuPont Self-Adhered Flashing Products** are not to be used in roofing applications. For superior protection against bulk water penetration, DuPont suggests a system combining a quality exterior facade, a good secondary air and water barrier and exterior sheathing, high quality windows and doors, and appropriate flashing materials paying attention to proper installation of each component.

In a system where no exterior sheathing is used and **Tyvek® WRBs** are installed directly over the wall studs, exterior facade materials should be selected to ensure maximum protection against water intrusion. Careful workmanship and proper installation of each component is very important.

Safety and Handling

Warning

Tyvek® WRBs are slippery and should not be used in any application where they will be walked on. In addition, because they are slippery, DuPont recommends using kickjacks, scaffolding, or lifts for exterior work above the first floor. If ladders must be used, extra caution must be taken to use them safely by following the requirements set forth in ANSI Standards 14.1, 14.2, and 14.5 for ladders made of wood, aluminum, and fiberglass, respectively. **DuPont™ Tyvek®** is combustible and should be protected from flames and other high heat sources. **DuPont™ Tyvek®** will melt at 275°F (135°C) and if the temperature of **DuPont™ Tyvek®** reaches 750°F (400°C), it will burn and the fire may spread and fall away from the point of ignition. For more information, call 1-833-338-7668.

DuPont Self-Adhered Flashing Products and their release paper are slippery and should not be walked on. Remove release paper from work area immediately. **DuPont Self-Adhered Flashing Products** will melt at temperatures greater than 250°F (121°C). **DuPont Self-Adhered Flashing Products** are combustible and should be protected from flames and other high heat sources. **DuPont Self-Adhered Flashing Products** will not

support combustion if the heat source is removed. However, if burning occurs, ignited droplets may fall away from the point of ignition. For more information, call 1-833-338-7668.

Tower® Residential Sealant is irritating to skin, eyes, and respiratory tract. For proper usage, follow directions stated on the product label. For health information, refer to the Material Safety Data Sheet or call Chemtrec at 1-800-424-9300.

KEEP OUT OF REACH OF CHILDREN.

Children can fall in to bucket and drown. Keep children away from bucket with even a small amount of liquid.

Use only as directed. Avoid inhalation of vapor aerosol.

Caution

When cured, **Great Stuff Pro™ Window & Door Polyurethane Foam Sealant** is combustible and will burn if exposed to open flame or sparks from high-energy sources. Do not expose to temperatures above 240°F (116°C). For more information, consult (Material) Safety Data Sheet ((M)SDS), call DuPont at 1-866-583-2583. When air sealing buildings, ensure that combustion appliances, such as furnaces, water heaters, wood burning stoves, gas stoves and gas dryers are properly vented to the outside. See website: <https://www.nrel.gov/docs/fy14osti/61326.pdf>.

In Canada visit: <https://nrc-publications.canada.ca/eng/view/ft/?id=96acba7c-afd4-4ea1-94b0-1f8f3500c582>.

Great Stuff Pro™ polyurethane foam sealant and adhesive products contain isocyanate and a flammable blowing agent. Read all instructions and (Material) Safety Data Sheet ((M)SDS), carefully before use. Eliminate all sources of ignition before use. Cover all skin. Wear long sleeves, gloves, and safety glasses or goggles. Not for use in aviation, or food/ beverage contact, or as structural support in marine applications. Provide adequate ventilation or wear proper respiratory protection. Contents under pressure. Not to be used for filling closed cavities or voids such as behind walls and under tub surrounds; this improper use of the product could result in the accumulation of flammable vapors and/or uncured material. Failure to follow the warnings and instructions provided with the product, and/or all applicable rules and regulations, can result in injury or death.

Building and/or construction practices unrelated to building materials could greatly affect moisture and the potential for mold formation. No material supplied by DuPont can give assurance that mold will not develop in any specific system.

Read all instructions and (Material) Safety Data Sheet ((M)SDS) carefully before use.

For more information, visit greatstuffpro.com or building.dupont.com

For More Information

Visit the *Quick Links* section of our website (<https://www.dupont.com/building/resources.html>) where you'll find links to essential documents and resources to help you get the job done right:

- Installation Guidelines
- Safety Data Sheets (SDS)
- CAD Drawings
- DuPont Performance Building Solutions Document Library

For complete warranty information please call 1-833-338-7668 or visit us at building.dupont.com.

NOTICE: No freedom from any patent owned by DuPont or others is to be inferred. Because use conditions and applicable laws may differ from one location to another and may change with time, Customer is responsible for determining whether products and the information in this document are appropriate for Customer's use and for ensuring that Customer's workplace and disposal practices are in compliance with applicable laws and other government enactments. The product shown in this literature may not be available for sale and/or available in all geographies where DuPont is represented. The claims made may not have been approved for use in all countries or regions. DuPont assumes no obligation or liability for the information in this document. References to "DuPont" or the "Company" mean the DuPont legal entity selling the products to Customer unless otherwise expressly noted. NO EXPRESS WARRANTIES ARE GIVEN EXCEPT FOR ANY APPLICABLE WRITTEN WARRANTIES SPECIFICALLY PROVIDED BY DUPONT. ALL IMPLIED WARRANTIES INCLUDING THOSE OF MERCHANTABILITY AND FITNESS FOR A PARTICULAR PURPOSE ARE EXPRESSLY EXCLUDED. The buyer assumes all risks as to the use of the material. Buyer's exclusive remedy or any claim (including without limitations, negligence, strict liability, or tort) shall be limited to the refund of the purchase price of the material. Failure to strictly adhere to any recommended procedures shall release DuPont de Nemours, Inc., and its affiliates, of all liability with respect to the materials or the use thereof. The information herein is not intended for use by non-professional designers, applicators or other persons who do not purchase or utilize this product in the normal course of their business.

© 2020 DuPont. DuPont™, the DuPont Oval Logo, and all trademarks and service marks denoted with ™, SM or ® are owned by affiliates of DuPont de Nemours, Inc. unless otherwise noted. Grip-Deck®, Grip-Lok®, and Thermal-Grip FastCap™ are trademarks or registered trademarks of Rodenhouse Inc. Tower® is a registered trademark of Tower Sealants.

43-D100919-enNA-0820



For more information about
DuPont Performance Building Solutions,
please call 1-833-338-7668 or visit us
at building.dupont.com